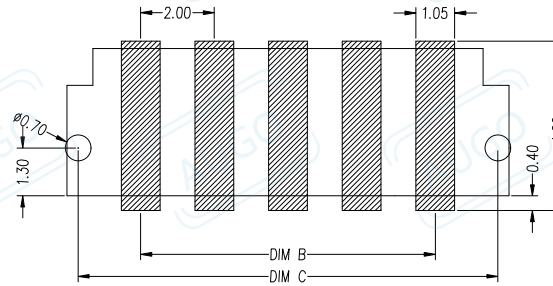
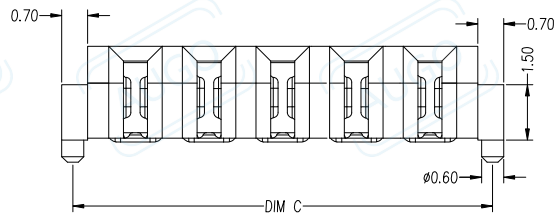
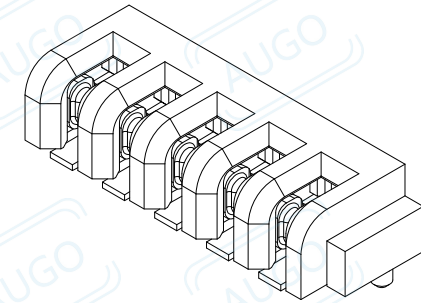
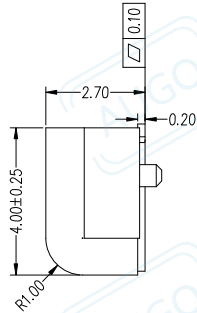
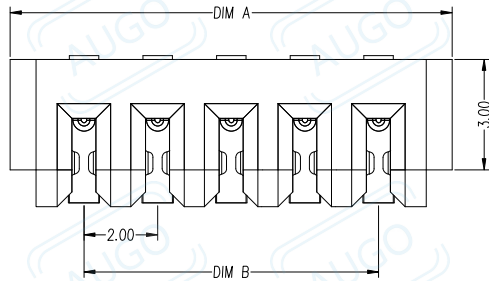
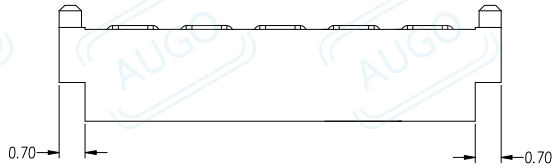


Rohs

REV.	DESCRIPTION	DRAW.	DATE.

AUGO-A00F-B-6P	14.00	10.00	13.40
AUGO-A00F-B-5P	12.00	8.00	11.40
AUGO-A00F-B-4P	10.00	6.00	9.40
AUGO-A00F-B-3P	8.00	4.00	7.40
AUGO-A00F-B-2P	6.00	2.00	5.40
PART NO.	DIMA	DIMB	DIMC



RECOMMENDED PCB LAYOUT  
TOL: (±0.05)

Material:

Insulator : LCP(UL94V-0)

Contact : High conduction copper

Contact Plated : 5u" Gold over Nickel or Tin

Specification:

Current Rating : 8A

Voltage Rating : 12V

Contact Resistance : 30mΩ

Insulation Resistance : 500MΩ

Dielectric Voltage : 500V

Operating Temperature : -40~85°

Electrical Life : 5000cycles

DONGGUAN AUGO ELECTRONICS CO.,LTD.

COPYRIGHT RESERVED,PLEASE DO NOT COPY.

REV:	01	UNLESS OTHERWISE SPECIFIED,TOLERANCE:	TITLE:	2.0 PITCH BATTERY CONNECTOR	DESIGN	G.C.CHEN	DATE	
SIZE:	A4			X.	±0.20	DRAWING	Y.C.ZHANG	DATE
SCALE: 1:1	UNIT: mm	X.x	±0.15	PART NO:	AUGO-A00F-B-5P	CHECK	D.J.WANG	DATE
SHEET: 1/1	ANGULAR	X.xx	±0.10			SCALE	1:1	PAGE
		±2°						