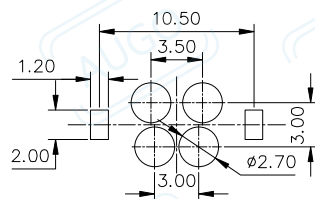
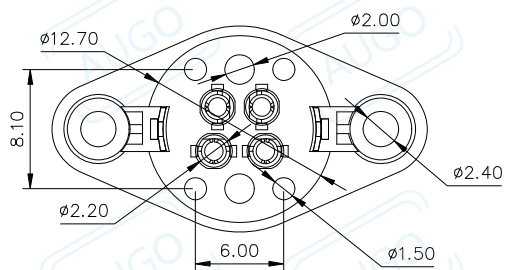
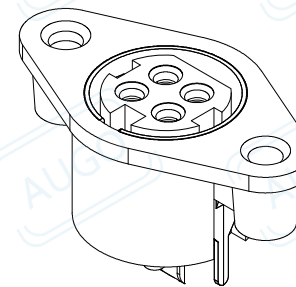
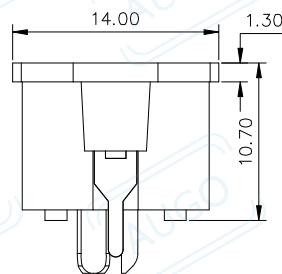
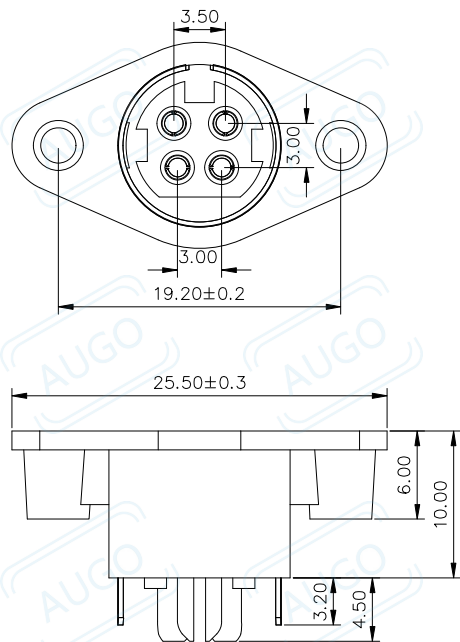


Rohs

REV.	DESCRIPTION	DRAW.	DATE.
A0	NEW RELEASE	Y.C.ZHANG	2024/07/20



Recommended P.C.B Layout
Layout Tolerance=+/-0.05mm

Material:
 Insulator : PBT
 Contact : Brass
 Contact Plated : D.Cu/Sn
 Specification:
 Current Rating : 6.5A
 Voltage Rating : 20V
 Contact Resistance : 30mΩ
 Insulation Resistance : 100MΩ
 Dielectric Voltage : 500V
 Insertion and withdraw force : 10-60N
 Operating Temperature : -25°~85°
 Life Test:5,000 Cycles

AUGO

东莞市欧高电子有限公司
 Dongguan Augo Electronics Co.,Ltd
 地址:广东省东莞市黄江镇新市东江路8号富汇创园 电话:0769-83383781

COPYRIGHT RESERVED,PLEASE DO NOT COPY.

REV:	01	UNLESS OTHERWISE SPECIFIED,TOLERANCE:
SIZE:	A4	
SCALE:1:1	UNIT:mm	X. ±0.50
SHEET:1/1	⊕	X.x ±0.30
		X.xx ±0.20
		ANGULAR ±2°

TITLE:	POWER JACK	DESIGN	G.C.CHEN	DATE	2024/07/18
PART NO:	PDM-4-09	DRAWING	Y.C.ZHANG	DATE	2024/07/18
		CHECK	D.J.WANG	DATE	2024/07/20
		SCALE	1:1	PAGE	1 OF 1