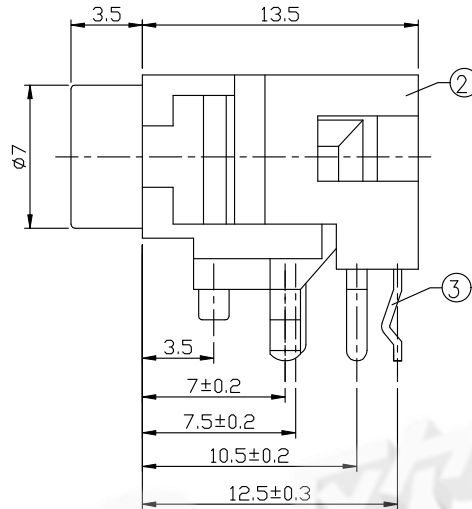
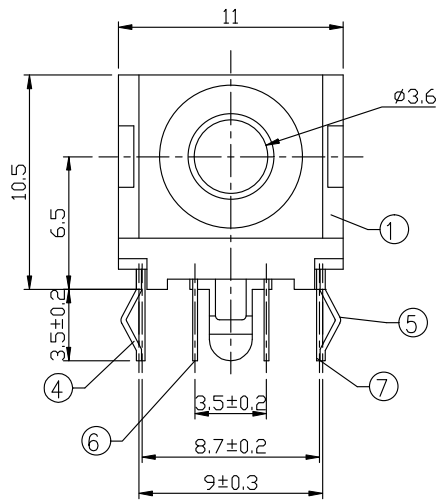
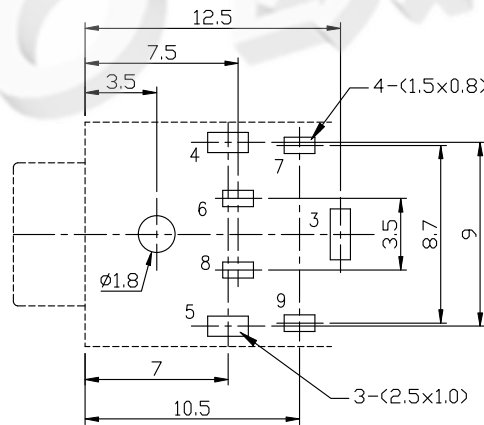
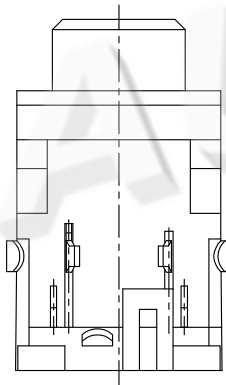
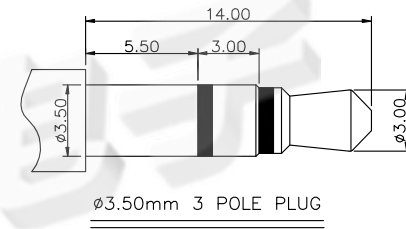


RoHS
Compliant

SYMBOL	REVISION	APPROVAL	DATE

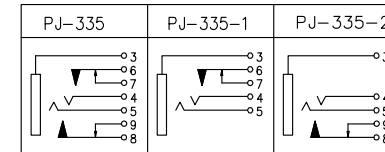


- SPECIFICATION**
- 1.Rating : DC 30V 0.5A
 - 2.Contact resistance : $\leq 0.03\Omega$
 - 3.Insulation resistance : $\geq 100M\Omega$ (DC250V)
 - 4.Withstand voltage : 500VAC
 - 5.Insertion and extraction force : 3-20N;
 - 6.life test : 5,000 cycles



P.C.B LAYOUT
TOP VIEW

SCHEMATIC



9	CONTACT FOOT	1	BRASS	Ag-Plating
8	CONTACT FOOT	1	BRONZE	Ag-Plating
7	CONTACT FOOT	1	BRASS	Ag-Plating
6	CONTACT FOOT	1	BRONZE	Ag-Plating
5	CONTACT FOOT	1	BRONZE	Ag-Plating
4	CONTACT FOOT	1	BRONZE	Ag-Plating
3	CONTACT FOOT	1	BRONZE	Ag-Plating
2	COVER	1	POM	
1	HOUSING	1	PBT	
NO.	DESCRIPTION	QTY	MATERIAL	PLATING

DONGGUAN AUGO ELECTRONICS CO.,LTD.

COPYRIGHT RESERVED,PLEASE DO NOT COPY.

PART NAME		PHONE JACK		DRAWING		Y,C,Zhang		DWG.No.	
PART NO.		PJ-335		CHECK		G.C.Chen		REV. A1	
UNIT :	TOLERANCE OTHERWISE	UP TO 5 ABOVE 5 ∅ ABOVE 30 ANGLE	±0.2 ±0.3 ±0.5 ±3'	ANGLE	APPROVAL		DATE		SCALE
					SCALE		PAGE		
mm				0°±3'	5:2		1 OF 1		