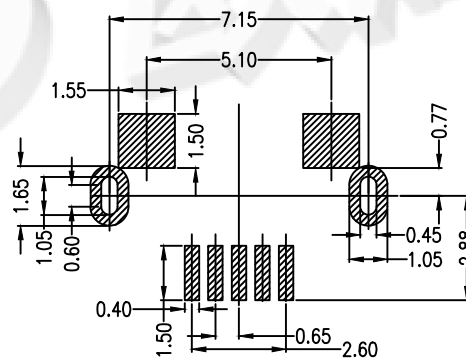
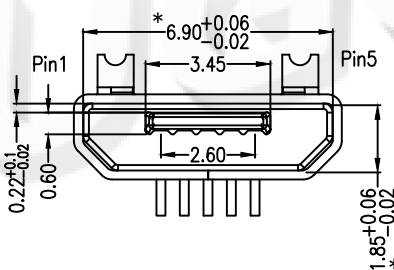
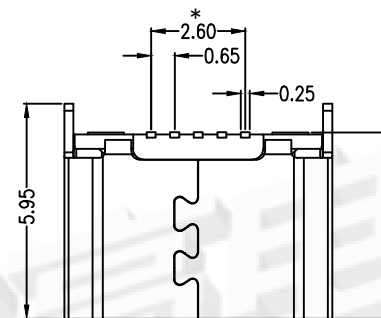
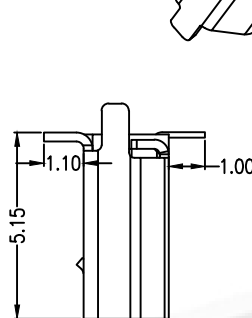
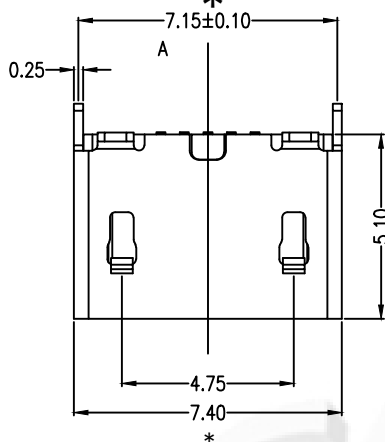


SECTION A-A



RECOMMENDED PCB LAYOUT

PCB图仅供参考

Note:

1.Material:

- 1.1 Housing: High temperature thermoplastic with g.f,UL94v-0
- 1.2 Contact: copper alloy,t=0.20mm Gold Flash Plated over all NICKEL 30u"MIN UNDER PLATING OVER ALL.
- 1.3 Shell: SUS304,t=0.25mm MATTE NICKEL 50u"MIN PLATED OVERALL.

2.Specification:

- 2.1 Current rating:1,5PIN 1.8A Max/2,3,4PIN 1A Max.
- 2.2 Dielectric withstanding voltage: 100 V(ac) for 1 min.
- 2.3 Contact resistance: 30 mΩ Max.
- 2.4 Insulation resistance: 100 MΩ Min.
- 2.5 Total mating force: 3.57 Kgf Max.
- 2.6 Total unmating force: 1.0 Kgf Min.
- 2.7 Temperature range: -30°C~80°C

DONGGUAN AUGO ELECTRONICS CO.,LTD.

COPYRIGHT RESERVED,PLEASE DO NOT COPY.

|           |                     |                         |      |         |           |         |        |
|-----------|---------------------|-------------------------|------|---------|-----------|---------|--------|
| PART NAME |                     | CONNECTOR               |      | DRAWING | Y,C,ZHANG | DWG.No. |        |
| PART NO.  |                     | Micro usb 5s B 180D SMT |      | CHECK   | G.C.Chen  | REV.    | A1     |
| UNIT :    | TOLERANCE OTHERWISE | UP TO 5                 | ±0.2 | ANGLE   | APPROVAL  | DATE    |        |
|           |                     | ABOVE 5~30              | ±0.3 |         |           |         |        |
| mm        |                     | ABOVE 30                | ±0.5 | 0°±3'   | SCALE     | PAGE    | 1 OF 1 |
|           |                     | ANGLE                   | ±3'  |         | 2:1       |         |        |