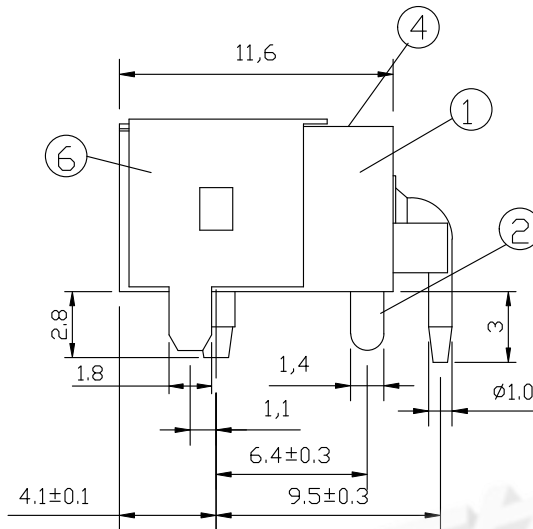
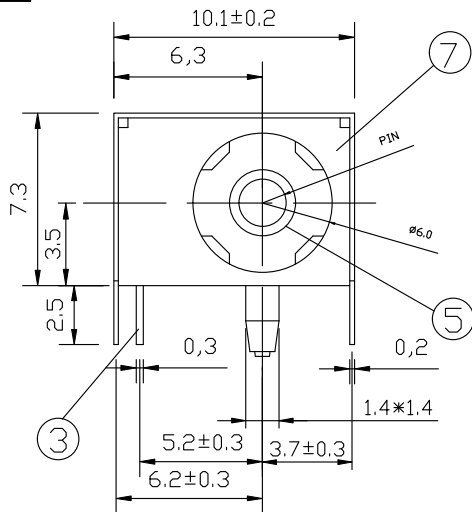


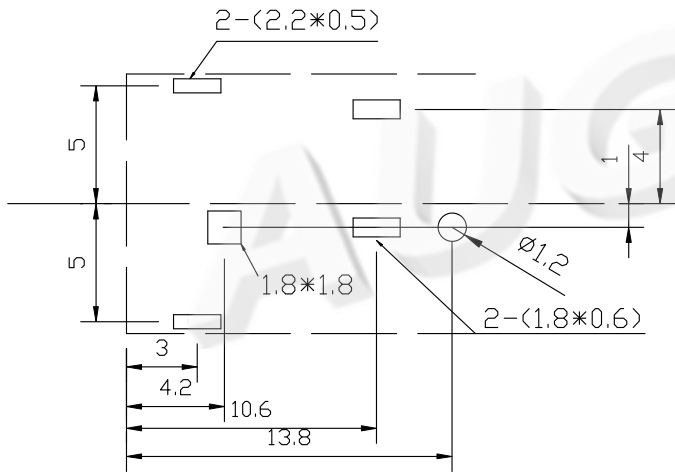
RoHS
Compliant

SYMBOL	REVISION	APPROVAL	DATE



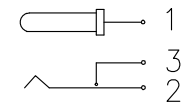
NOTES:

- ELECTRIC CHARACTERISTICS:
 - CONTACT CURRENT RATING: 4A.
 - CONTACT VOLTAGE RATING: 20V DC.
 - CONTACT RESISTANCE: 30mΩ MAX.;
 - DIELECTRIC WITHSTANDING VOLTAGE: 500V AC;
 - INSULATION RESISTANCE: 100MΩ MIN. AT DC 500V.
- MECHANICAL CHARACTERISTICS:
 - DURABILITY: 3000 CYCLES.
 - INSERTION AND EXTRACTION FORCE:
 - INSERTION FORCE: 30N MAX.
 - EXTRACTION FORCE: 3N MIN.
- ENVIRONMENT CHARACTERISTICS:
 - OPERATING TEMPERATURE: -25°C ~ +85°C.
 - HUMIDITY: 45~85% RH.



RECOMMENDED PCB LAYOUT
TOP VIEW

ELECTRICAL SCHEMATIC



PIN	Ø1.65	Ø2.0	Ø2.5
APPD			

序号	名称	数量	材料	镀涂	备注
7	PIN	1	H59黄铜棒		铜锡
6	基座	1	PA9T		(黑)
5	GROUNDING SPRING		不锈钢T=0.1t		
4	平片	1	H62黄铜带T=0.25t		银
3	弯片	1	H62黄铜带T=0.4t		银
2	簧片	1	磷铜C5191 T=0.3t		银
1	盖脚	1	H62黄铜带T=0.2t		镍

DONGGUAN AUGO ELECTRONICS CO.,LTD.

COPYRIGHT RESERVED,PLEASE DO NOT COPY.

PART NAME		DC POWER JACK		DRAWING		G.C.Chen		DWG.No.	
PART NO.		DC-044D		CHECK		G.C.Chen		REV. A	
UNIT : mm	TOLERANCE OTHERWISE	UP TO 10	±0.1	ANGLE 0°±3'	APPROVAL		DATE		
		ABOVE 10~20	±0.15		SCALE		PAGE		
		ABOVE 20~50	±0.2		2:1		1 OF 1		