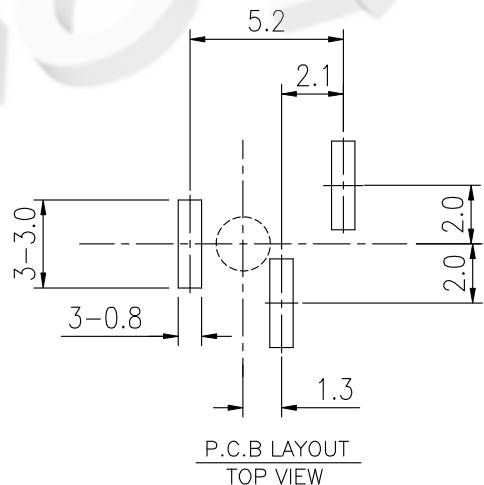
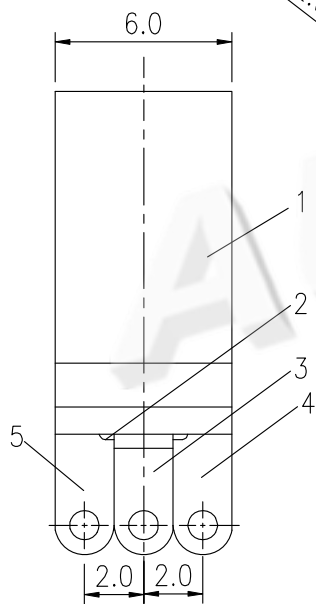
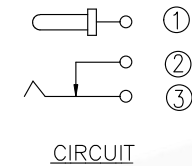
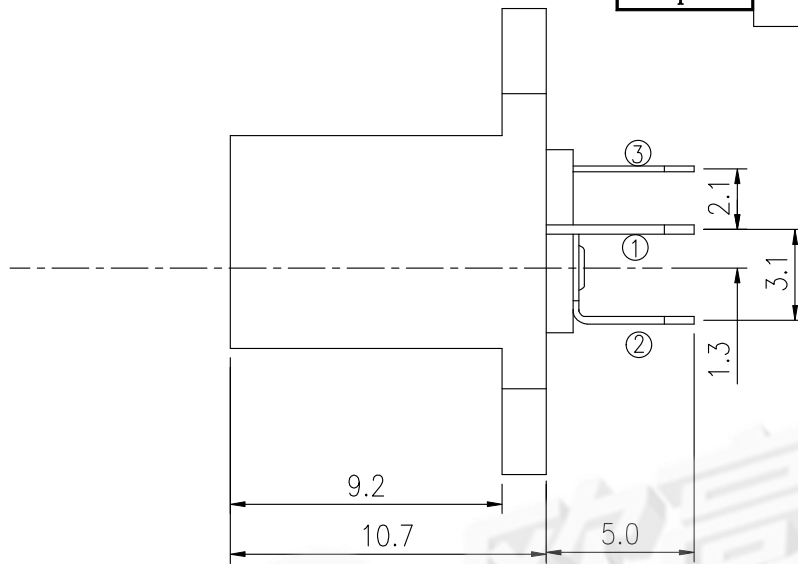
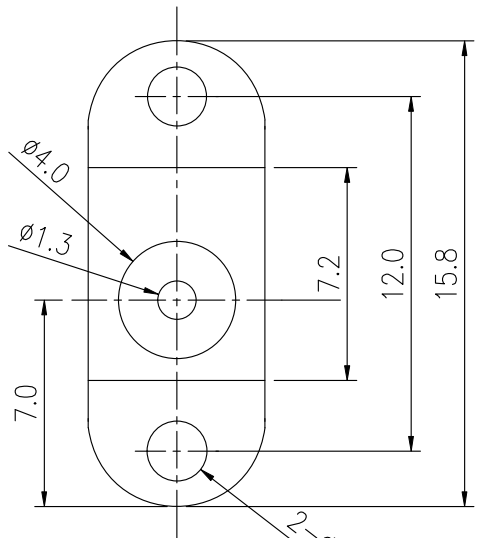


RoHS
Compliant

SYMBOL	REVISION	APPROVAL	DATE



NO.	PARTS	MATERIAL	QTY.	FINISHING
5	TERMINAL	MANGANESE STEEL STRIP	1	Ag PLATED
4	TERMINAL	C5210	1	Ag PLATED
3	TERMINAL	C2680	1	Ag PLATED
2	PIN	C3604	1	Ag PLATED
1	HOUSING	PA66	1	BLACK

DONGGUAN AUGO ELECTRONICS CO.,LTD.

COPYRIGHT RESERVED,PLEASE DO NOT COPY.

PART NAME		DC POWER JACK		DRAWING		M.M.Zhang		DWG.No.		Robin	
PART NO.		DS-048-13		CHECK		G.C.Chen		REV.		A	
UNIT :	TOLERANCE	UP TO 5	±0.2	ANGLE	APPROVAL	DATE		2016-07-01			
	OTHERWISE	ABOVE 5 30	±0.3		SCALE	PAGE		1 OF 1			
mm		ANGLE 30	±0.5	0'±3'							