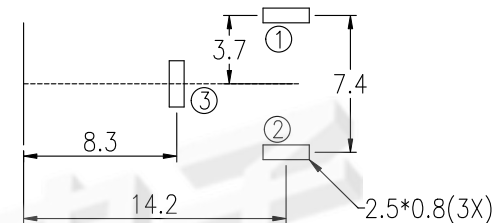
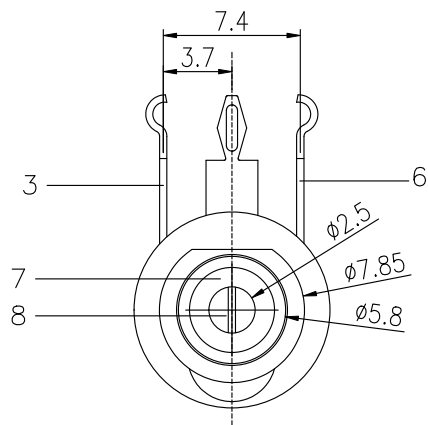
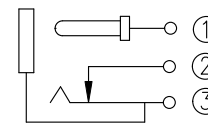
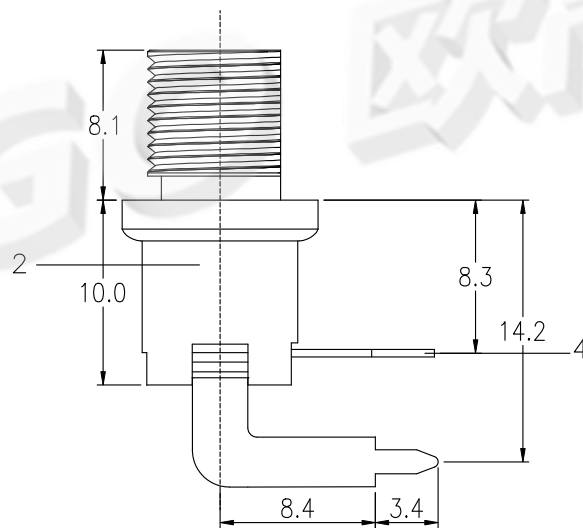
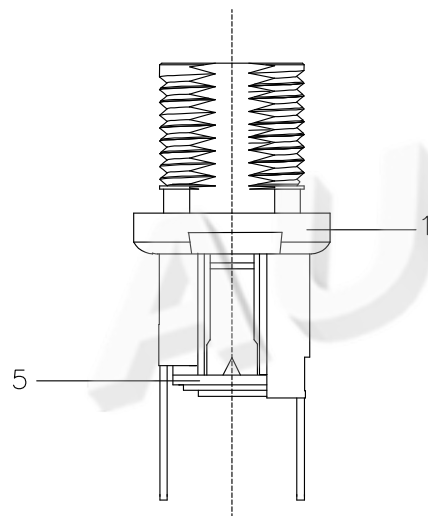


RoHS
Compliant

SYMBOL	REVISION	APPROVAL	DATE



P.C.B LAYOUT
TOP VIEW



CIRCUIT

NO.	PARTS	MATERIAL	QTY.	FINISHING
8	PIN	C3604	1	Ag PLATED
7	GASKET	PHENOLIC PLATE	1	NATURAL
6	PIN TERMINAL	C2680	1	Ag PLATED
5	GASKET	PHENOLIC PLATE	1	NATURAL
4	SLEEVE TERMINAL	C5210	1	Ag PLATED
3	BREAK TERMINAL	C2680	1	Ag PLATED
2	HOUSING	PBT	1	BLACK
1	RING	C3604	1	Ni PLATED
NO.	PARTS	MATERIAL	QTY.	FINISHING

DONGGUAN AUGO ELECTRONICS CO.,LTD.

COPYRIGHT RESERVED,PLEASE DO NOT COPY.

PART NAME		DC POWER JACK		DRAWING		Z.L.Liang		DWG.No.		Robin	
PART NO.		DS-075-25		CHECK		G.C.Chen		REV.		A	
UNIT :	TOLERANCE	UP TO 5	±0.2	ANGLE	APPROVAL	DATE	2016-07-01				
mm	OTHERWISE	ABOVE 5 30	±0.3	0°±3'	SCALE	PAGE	1:1		1 OF 1		
		ANGLE	±0.5								
			±3'								