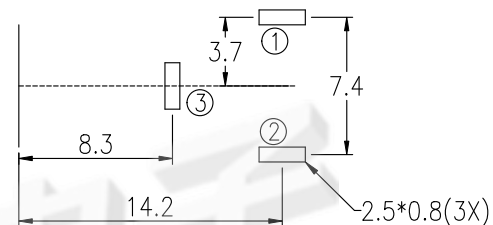
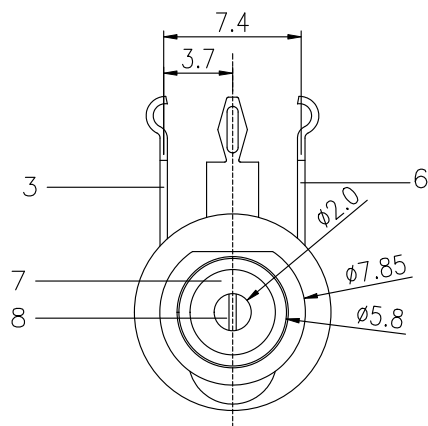
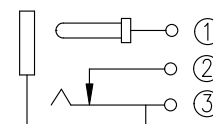
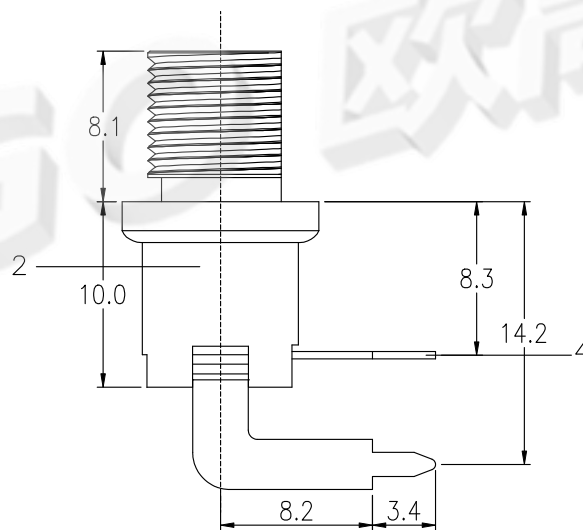
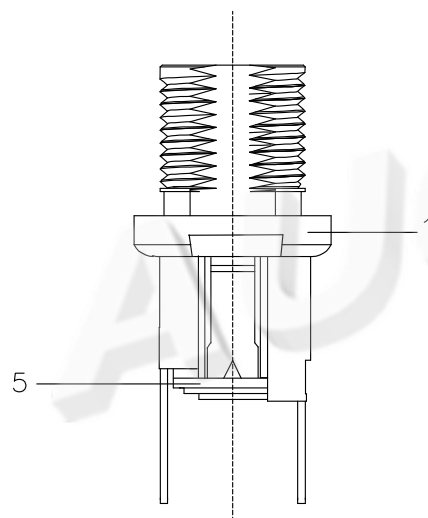


RoHS
Compliant

SYMBOL	REVISION	APPROVAL	DATE



P.C.B LAYOUT
TOP VIEW



CIRCUIT

8	PIN	C3604	1	Ag PLATED
7	GASKET	PHENOLIC PLATE	1	NATURAL
6	PIN TERMINAL	C2680	1	Ag PLATED
5	GASKET	PHENOLIC PLATE	1	NATURAL
4	SLEEVE TERMINAL	C5210	1	Ag PLATED
3	BREAK TERMINAL	C2680	1	Ag PLATED
2	HOUSING	PBT	1	BLACK
1	RING	C3604	1	Ni PLATED
NO.	PARTS	MATERIAL	QTY.	FINISHING

DONGGUAN AUGO ELECTRONICS CO.,LTD.

PART NAME		DC POWER JACK		DRAWING		G.C.Chen		DWG.No.		Robin	
PART NO.		DS-075-20		CHECK		G.C.Chen		REV.		A	
UNIT :	TOLERANCE OTHERWISE	UP TO 5 ABOVE 5 30 ABOVE 30 ANGLE	±0.2 ±0.3 ±0.5 ±3'	ANGLE	APPROVAL		DATE		2016-07-01		
					SCALE		PAGE		1 OF 1		
mm				0°±3'	2:1		PAGE		1 OF 1		

COPYRIGHT RESERVED,PLEASE DO NOT COPY.