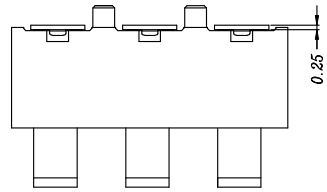
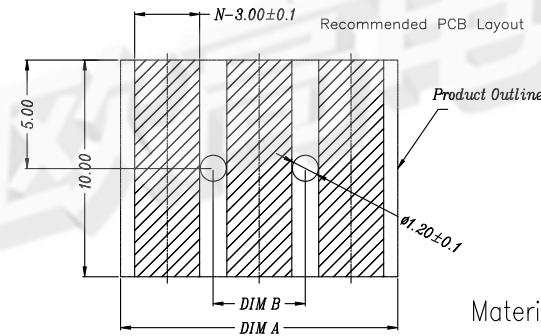
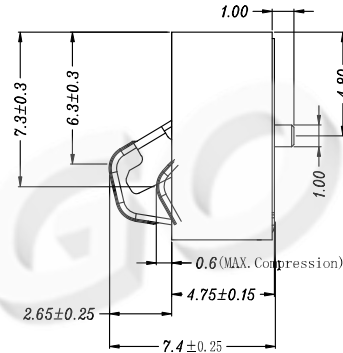
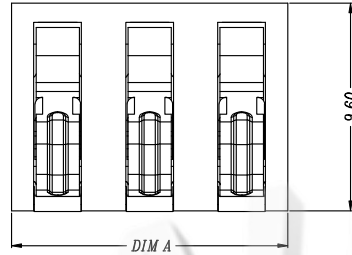


Rohs

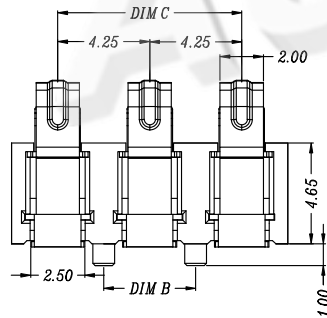
REV.	DESCRIPTION	DRAW.	DATE.



PART NO.	DIM A	DIM B	DIM C
AUGO-BC-425-3PD740F	12.75	4.25	8.5
AUGO-BC-425-4PD740F	17.0	8.5	12.75
AUGO-BC-425-5PD740F	21.25	12.75	17.0
AUGO-BC-425-6PD740F	25.5	17.0	21.25



RECOMMENDED PCB LAYOUT
TOL:(±0.05)



Material:
 Insulator : LCP(UL94V-0)
 Contact : Phosphor Bronze
 Contact Plated : Gold over Nickel or Tin
 Specification:
 Current Rating : 5A
 Voltage Rating : 30V
 Contact Resistance : 50m Ω
 Insulation Resistance : 500M Ω
 Dielectric Voltage : 500V
 Operating Temperature : -40~85°
 Electrical Life : 5000cycles

AUGO

AUGO ELECTRONICS CO.,LTD.

COPYRIGHT RESERVED,PLEASE DO NOT COPY.

REV:	01	UNLESS OTHERWISE SPECIFIED,TOLERANCE:	TITLE:	4.25 PITCH BATTERY CONNECTOR	DESIGN	G.C.CHEN	DATE	
SIZE:	A4				X.	±0.20	DRAWING	Y.C.ZHANG
SCALE: 1:1	UNIT: mm	X.x	±0.15	PART NO:	CHECK	D.J.WANG	DATE	
SHEET: 1/1		X.xx	±0.10		AUGO-BC-425-(3-6)PD740F	SCALE	1:1	PAGE
		ANGULAR	±2°					