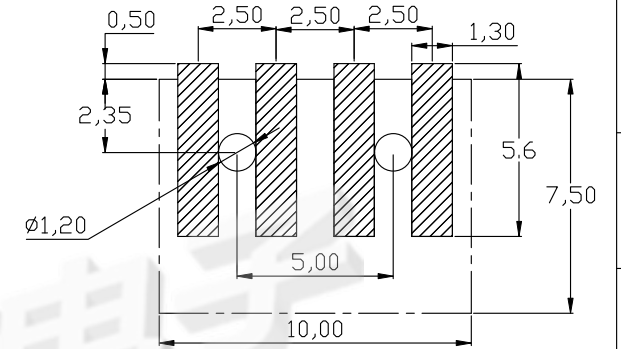
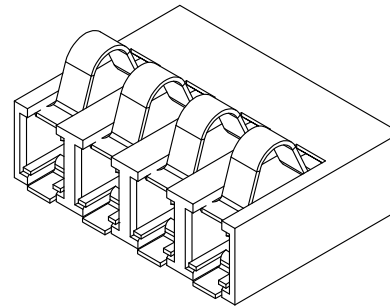
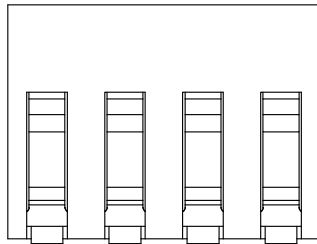
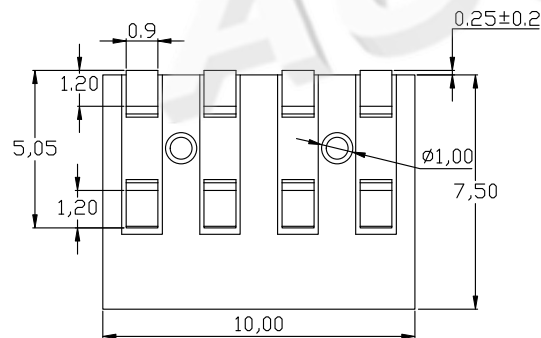
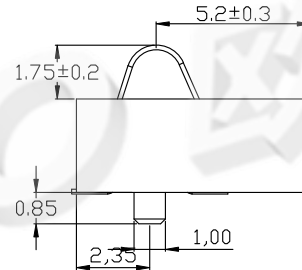
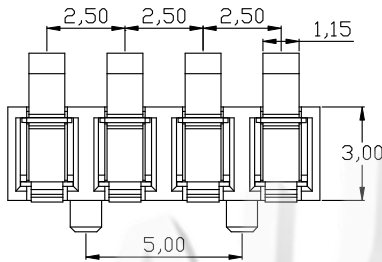


Rohs

REV.	DESCRIPTION	DRAW.	DATE.



RECOMMENDED PCB LAYOUT
TOP VIEW (. XX ± 0. 05)



Material:
 Insulator : LCP(UL94V-0)
 Contact : Phosphor Bronze
 Contact Plated : Gold over Nickel or Tin
 Specification:
 Current Rating : 2A
 Voltage Rating : 12V
 Contact Resistance : 50m Ω
 Insulation Resistance : 500M Ω
 Dielectric Voltage : 500V
 Operating Temperature : -40~85°
 Electrical Life : 5000cycles

AUGO AUGO ELECTRONICS CO.,LTD.

COPYRIGHT RESERVED, PLEASE DO NOT COPY.

REV:	01	UNLESS OTHERWISE SPECIFIED, TOLERANCE:	TITLE:	2.5 PITCH BATTERY CONNECTOR	DESIGN	G.C.CHEN	DATE	
SIZE:	A4			X.	±0.20	DRAWING	Y.C.ZHANG	DATE
SCALE: 1:1	UNIT: mm	X.x	±0.15	PART NO:	CHECK	D.J.WANG	DATE	
SHEET: 1/1		X.xx	±0.10		AUGO-BC-25-4PDH475Z	SCALE	1:1	PAGE
		ANGULAR	±2°					