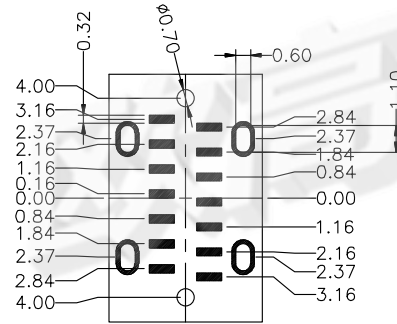
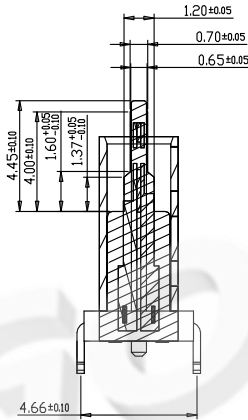
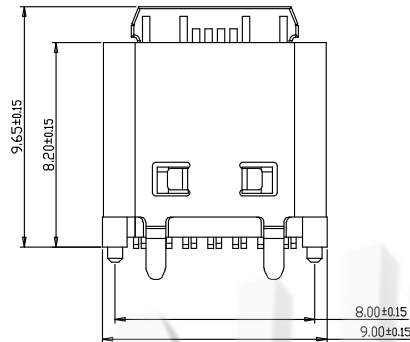
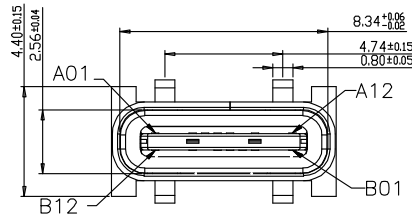
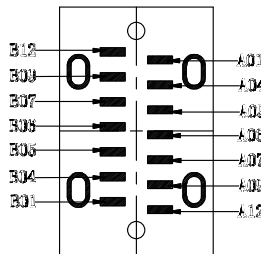
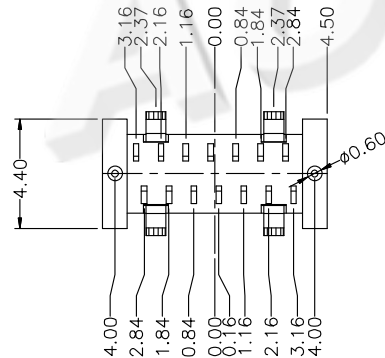


Rohs

REV.	DESCRIPTION	DRAW.	DATE.



RECOMMENDED P.C.B. LAYOUT (T:1.00mm)
TOLERANCE UNSPECIFIED ±0.05mm



- SPECIFICATIONS:
- ELECTRICAL CHARACTERISTICS:
 - CONTACT RESISTANCE: 30mΩ MAX.
 - DIELECTRIC WITHSTANDING VOLTAGE: 100V AC FOR ONE MINUTE.
 - INSULATION RESISTANCE: 100MΩ MIN. MEASURED BY 500 VDC
 - MECHANICAL CHARACTERISTICS:
 - INSERTION FORCE :0.5-2.0kgf(REF.)
 - WITHDRAWAL FORCE :0.8-2.0kgf(REF.)
 - LIFE TEST: 5,000 CYCLES.
 - TO CONFORM TO THE KRODNN HAZARDOUS SUBSTANCE FREE SPEC.

A1	GND	B12	GND
A4	VBUS	B9	VBUS
A5	CC1		
A6	DP1	B7	DN2
A7	DN1	B6	DP2
		B5	CC2
A9	VBUS	B4	VBUS
A12	GND	B1	GND
PIN	SIGNAL NAME	PIN	SIGNAL NAME

NO.	DESCRIPTION	MATERIAL	RFMARKS	QTY
6	SHELL	STAINLESS STEEL	Ni Plated	1PCS
5	SHIELDING PLATE	STAINLESS STEEL	---	1PCS
4	MD	HIGH TEMPERATURE PLASTIC	BLACK	1PCS
3	CONTACT	COPPER ALLOY	Au/Ni Plated	1SET
2	CONTACT	COPPER ALLOY	Au/Ni Plated	1SET
1	HOUSING	HIGH TEMPERATURE PLASTIC	BLACK	1PCS

AUGO

AUGO ELECTRONICS CO.,LTD.

COPYRIGHT RESERVED,PLEASE DO NOT COPY.

REV:	01	UNLESS OTHERWISE SPECIFIED,TOLERANCE:	TITLE:	TYPE-C SERIES	DESIGN	H.Y.ZHU	DATE	
SIZE:	A4				X.	±0.20	DRAWING	W.B.QIAO
SCALE:1:1	UNIT:mm	X.x	±0.15	PART NO:	CHECK	G.C.CHEN	DATE	
SHEET:1/1	⊕	X.xx	±0.10		SCALE	1:1	PAGE	1 OF 1
		ANGULAR	±2°					

TYPE-C 14PIN 四脚插
带柱 SMD H8.2 外漏