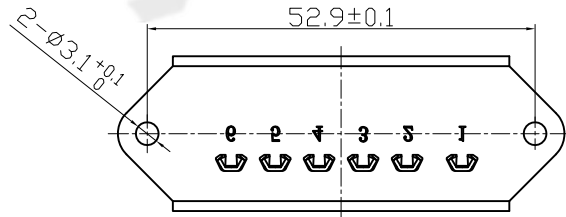
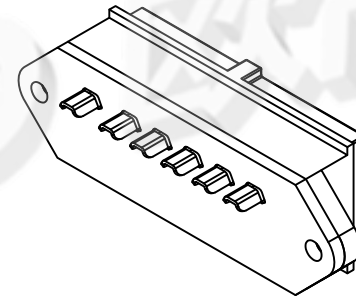
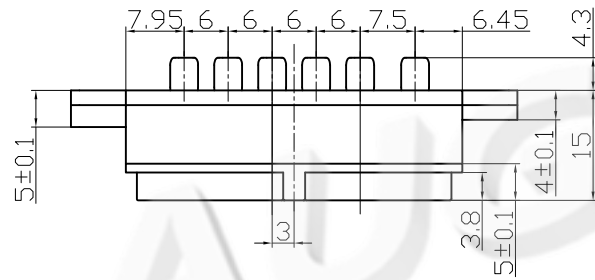
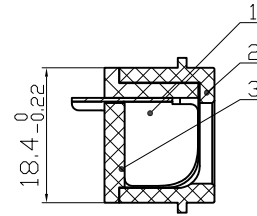
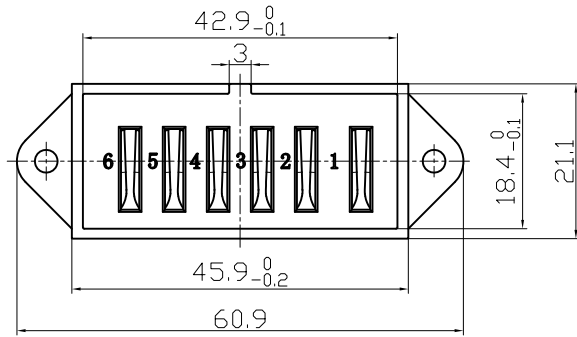


Rohs

REV.	DESCRIPTION	DRAW.	DATE.



Material:
 Insulator : NYLON (UL94V-0)
 Contact : Phosphor Bronze
 Contact Plated : Nickel
 Specification:
 Current Rating : 15A
 Voltage Rating : 24V
 Contact Resistance : 100m Ω
 Insulation Resistance : 500M Ω
 Dielectric Voltage : 1500V
 Operating Temperature : -25°~85°

AUGO

AUGO ELECTRONICS CO.,LTD.

COPYRIGHT RESERVED,PLEASE DO NOT COPY.

REV:	01	UNLESS OTHERWISE SPECIFIED,TOLERANCE:		TITLE:	BATTERY FEMALE 6.0 PITCH BOARD TO BOARD CONNECTOR	DESIGN	G.C.CHEN	DATE		
SIZE:	A4	X.	±0.20	PART NO:	AUGO-D06F-A-6P	DRAWING	Y.C.ZHANG	DATE		
SCALE: 1:1	UNIT: mm	X.x	±0.15			CHECK	D.J.WANG	DATE		
SHEET: 1/1		X.xx	±0.10			SCALE	1:1	PAGE	1 OF 1	
		ANGULAR	±2°							