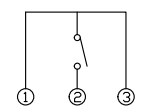
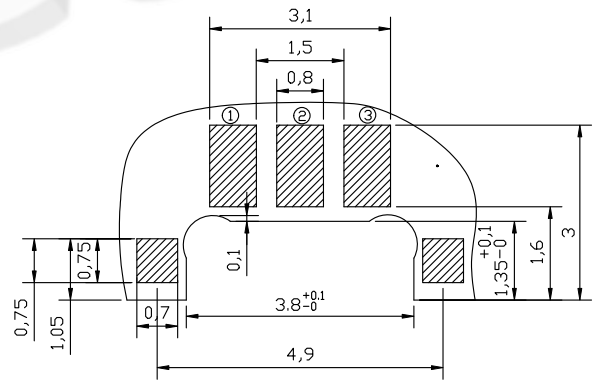


CIRCUIT DIAGRAM



P. C. B MOUNTING PATTERN DIMENSION  
the following soldering are recommended for reflow soldering



主要技术规格:

1. 额定值: 50mA DC12V
2. 接触电阻: ≤50mΩ
3. 操作力: 160±40gf
4. 行程: 0.20±0.1mm
5. 绝缘电阻: ≥100MΩ
6. 抗电强度: 250V 50HZ 1Min.
7. 寿命: 100,000 Cycles

| 序号 | 部件名称  | 材料  | 备注           |
|----|-------|-----|--------------|
| 6  | 防尘膜   | PE  | 黄色           |
| 5  | 引脚、触点 | 磷铜  | 镀银           |
| 4  | 基座    | LCP | 耐高温280℃ (黑色) |
| 3  | 簧片    | 不锈钢 | 覆银           |
| 2  | 盖板    | 黄铜  | 镀银           |
| 1  | 按钮    | LCP | 耐高温280℃ (黑色) |

**AUGO**

东莞市欧高电子有限公司  
DONGGUAN AUGO ELECTRONICS CO., LTD.

|           |           |             |            |         |       |           |      |            |  |          |  |
|-----------|-----------|-------------|------------|---------|-------|-----------|------|------------|--|----------|--|
| PART NAME |           | TACT SWITCH |            | DRAWING |       | Y,C,ZHANG |      | DWG.No.    |  | TD1826FS |  |
| PART NO.  |           | TD-1826FS   |            | CHECK   |       | G.C.Chen  |      | REV.       |  | A1       |  |
| UNIT :    | TOLERANCE | OTHERWISE   | UP TO 5    | ±0.2    | ANGLE | APPROVAL  | DATE | 14-05-2016 |  | 1 OF 1   |  |
|           |           |             | ABOVE 5 20 | ±0.3    |       |           |      | PAGE       |  |          |  |
| mm        |           |             | ABOVE 30   | ±0.5    | 0°±3' | SCALE     | 2:1  |            |  |          |  |