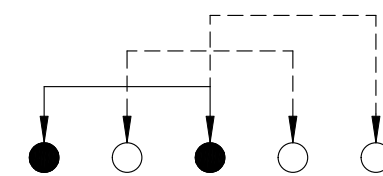
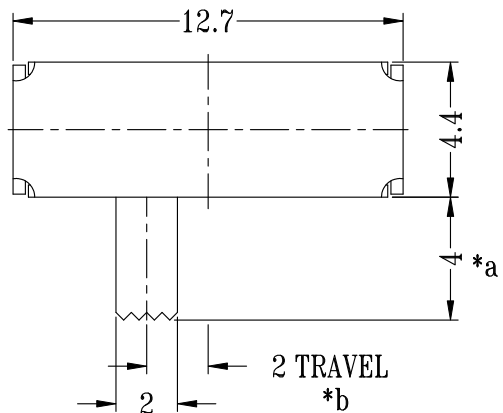
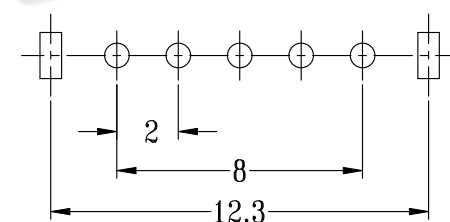
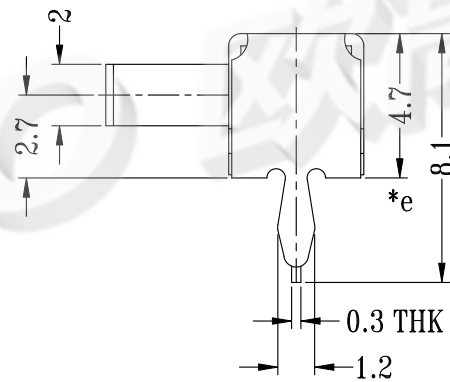
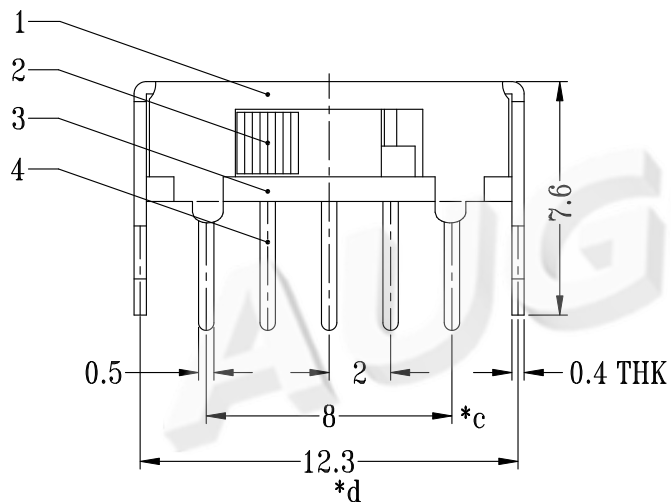


CAD FILE :



SCHMATIC (SHORTING)



P.C.B LAYOUT
BOTTOM VIEW

注：“*”表示关键尺寸 (5个)

NO.	PART NAME	MATERIAL	QTY.	FINISHING	TOLERANCE UNLESS SPECIFIED	ISSUE	DATE	DESCRIPTIONS OF REVISION	APPD.
8									
7									
6	SPRING PLATE	SUS	1	NATURAL	WITHIN 1.5mm : ±0.1mm	A	2012-8-4	初版	朱国辉
5	CONTACT CLIP	PBS STRIP	1	Ag PLATED	OVER 1.5mm : ±0.2mm				
4	TERMINAL	BRASS STRIP	5	Ag PLATED	TITLE: HORIZONTAL SLIDE SWITCH			UNIT : mm	DRWG NO.: AUGO-DR-SK13D10G4-00
3	BASE	PHENOLIC RESIN	1	NATURAL	MODEL: SK13D10G4			SCALE: 4:1	DWN. 王骏松 2012-8-4
2	KNOB	POM	1	BLACK	东莞市欧高电子有限公司 DONGGUAN AUGO ELECTRONIC CO.,LTD.			CHK'D	朱国辉 2012-8-4
1	FORME	STEEL STRIP	1	Ni PLATED				APPD.	