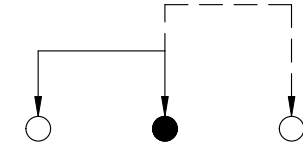
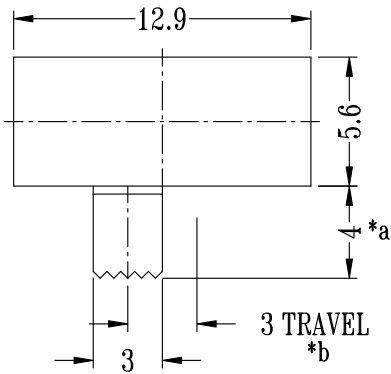
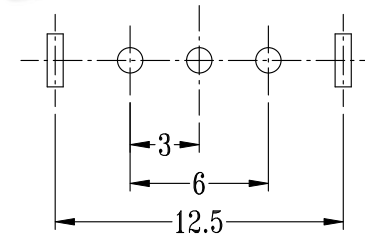
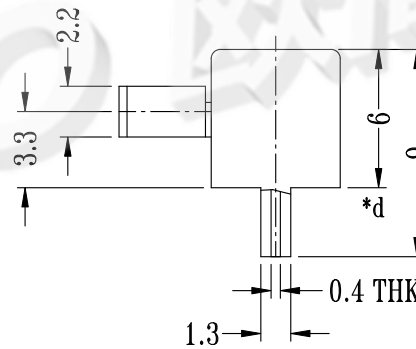
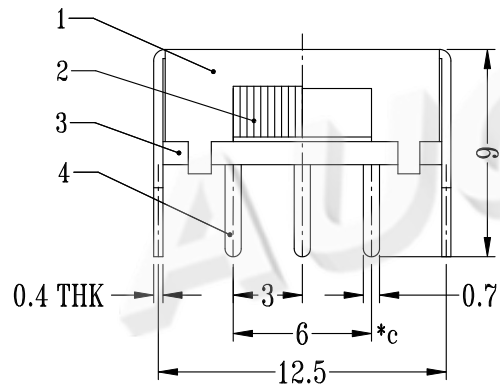


CAD FILE:



SCHEMATIC (NON-SHORTING)



P.C.B LAYOUT  
BOTTOM VIEW

注：“\*”表示关键尺寸(4个).

NO.	PARTS	MATERIALS	Q'TY	FINISH	TOLERANCE UNLESS SPECIFIED		ISSUE		DATE		DESCRIPTIONS OF REVISION		APPD.
8													
7													
6	SPRING	STEEL WIRE	1	NATURAL	WITHIN 1.5mm : ±0.1mm	A	2012-9-3	初版				朱国辉	
5	CONTACT	BRASS STRIP	1	Ag PLATED	OVER 1.5mm : ±0.2mm			DATE		DESCRIPTIONS OF REVISION		APPD.	
4	TERMINAL	BRASS STRIP	3	Ag PLATED	TITLE : HORIZONTAL SLIDE SWITCH		UNIT : mm	DRWG NO.: AUGO-DR-SK12F14G4-00					
3	BASE	PHENOLIC RESIN	1	NATURAL	MODEL: SK12F14G4		SCALE: 3:1	DWN.	王骏松	2012-9-3			
2	KNOB	POM	1	BLACK	东莞市欧高电子有限公司 DONGGUAN AUGO ELECTRONIC CO.,LTD.		CHK'D	朱国辉		2012-9-3			
1	FRAME	STEEL STRIP	1	Ni PLATED			APPD.						