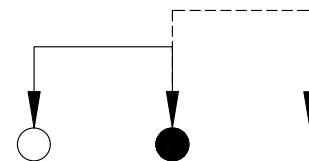
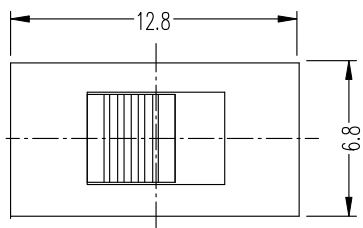
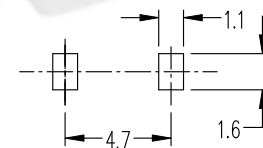
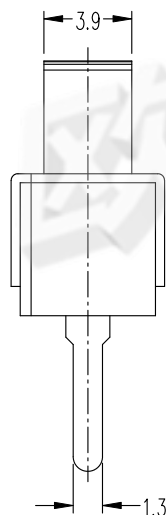
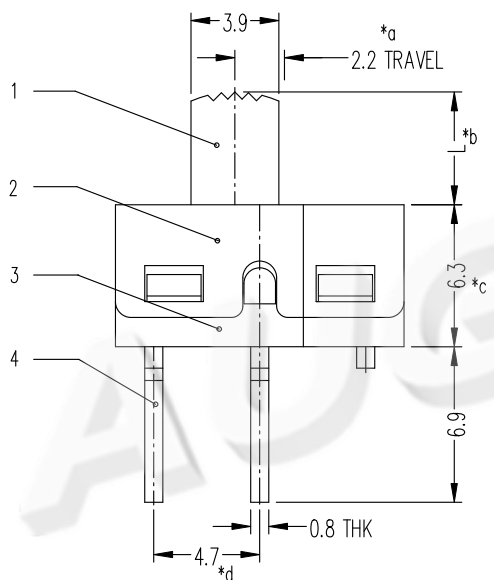


CAD FILE:



SCHEMATIC (NON-SHORTING)



P.C.B LAYOUT
BOTTOM VIEW

注“*”表示关键尺寸(4个)

NO.	PARTS	MATERIALS	Q'TY	FINISH	TOLERANCE UNLESS SPECIFIED	ISSUE	DATE	DESCRIPTIONS OF REVISION	APPD.
8									
7	PRESS BAR	PA66	1	BLACK					
6	SPRING	STEEL WIRE	1	NATURAL	WITHIN 1.5mm : ±0.1mm	A	2012-11-15	初版	
5	CONTACT	COPPER STRIP	1	Ag PLATED	OVER 1.5mm : ±0.2mm				
4	TERMINAL	COPPER STRIP	3	Ag PLATED					
3	CASE	PA66	1	BLACK					
2	COVER	SUS	1	NATURAL					
1	KNOB	PA66	1	BLACK					
					TITLE : VERTICAL SLIDE SWITCH	UNIT :	mm	DRWG NO.:	AUGO-DR-SS12D10-01
					MODEL: SS-12D10LC	SCALE:	3:1	DWN.	Y.C.ZHANG
					AUGO 东莞市欧高电子有限公司 DONGGUAN AUGO ELECTRONICS CO.,LTD.	CHK'D		G.C.CHEN	
						APPD.			2012-11-15