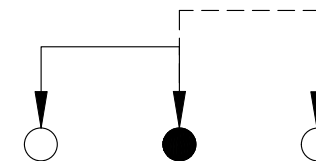
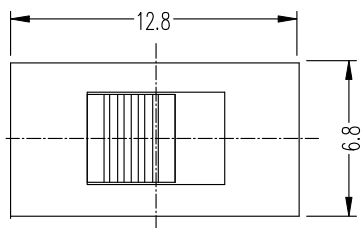
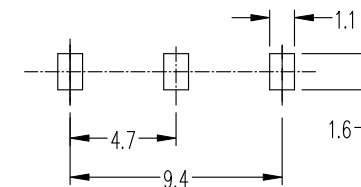
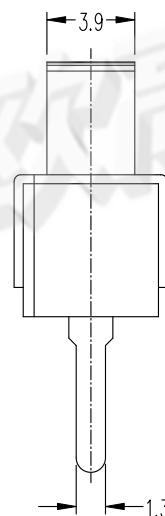
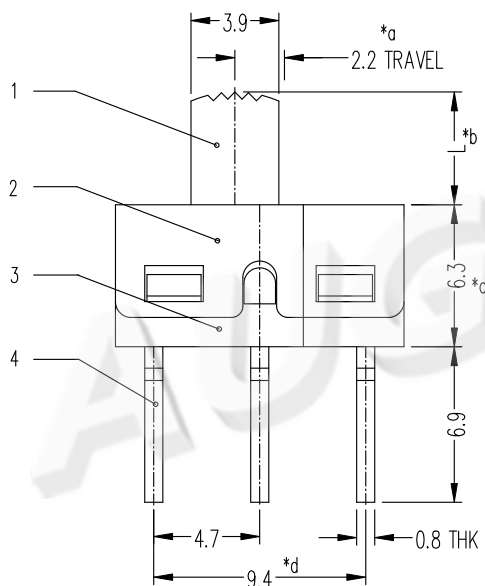


CAD FILE:



SCHEMATIC (NON-SHORTING)



P.C.B. LAYOUT  
BOTTOM VIEW

注“\*”表示关键尺寸(4个)

NO.	PARTS	MATERIALS	Q'TY	FINISH	TOLERANCE UNLESS SPECIFIED					
8										
7	PRESS BAR	PA66	1	BLACK						
6	SPRING	STEEL WIRE	1	NATURAL	WITHIN 1.5mm : ±0.1mm		A	2012-11-15	初版	
5	CONTACT	COPPER STRIP	1	Ag PLATED	OVER 1.5mm : ±0.2mm		ISSUE	DATE	DESCRIPTIONS OF REVISION	APPD.
4	TERMINAL	COPPER STRIP	3	Ag PLATED						
3	CASE	PA66	1	BLACK					DRWG NO.: AUGO-DR-SS12D10-00	
2	COVER	SUS	1	NATURAL					DWN.	Y.C.ZHANG 2012-11-15
1	KNOB	PA66	1	BLACK					CHK'D	G.C.CHEN
					TITLE : VERTICAL SLIDE SWITCH			UNIT : mm		
					MODEL: SS-12D10C			SCALE: 3:1		
					<b>AUGO</b> 东莞市欧高电子有限公司 DONGGUAN AUGO ELECTRONICS CO.,LTD.			APPD.		