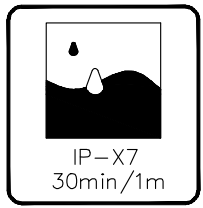
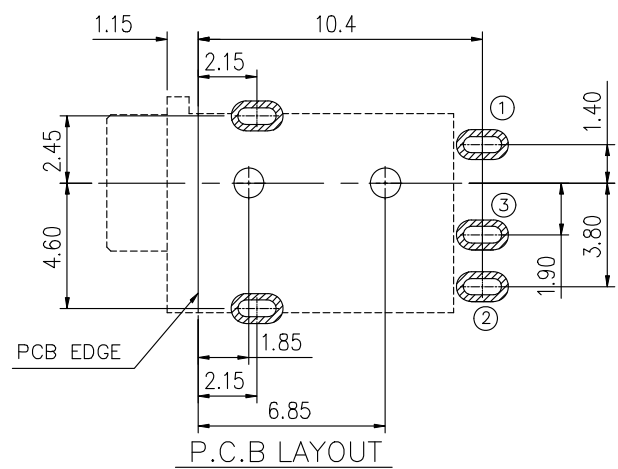
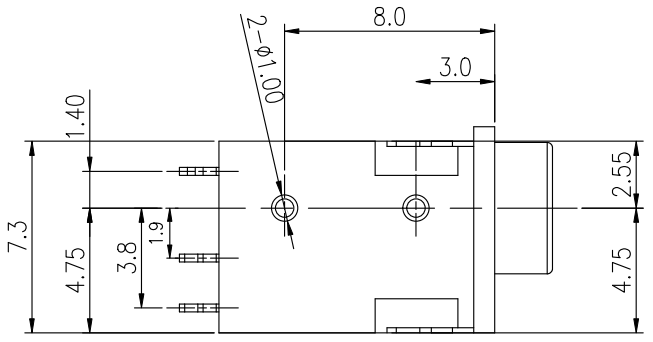
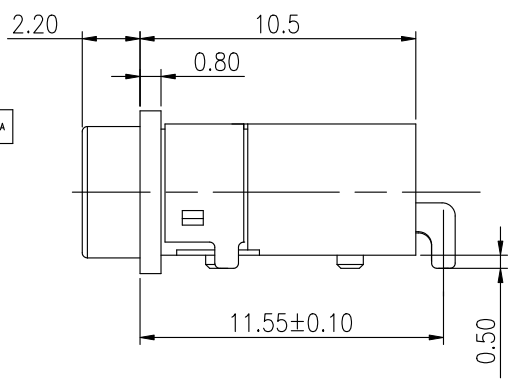
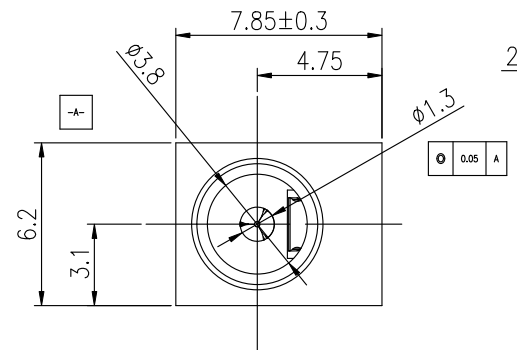
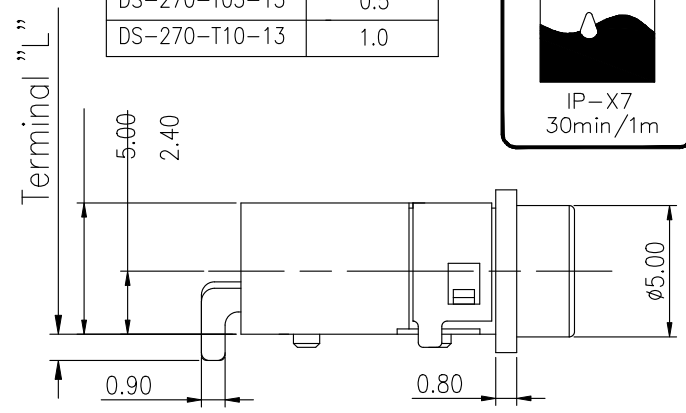


PART NO.	Terminal"L"
DS-270-T05-13	0.5
DS-270-T10-13	1.0



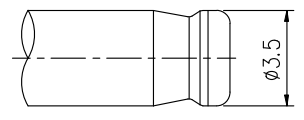
RoHS
Compliant

SYMBOL	REVISION	APPROVAL	DATE

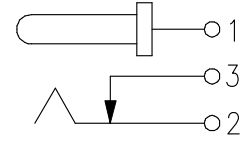
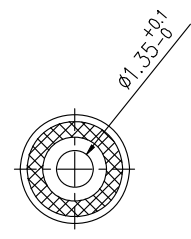


SPECIFICATIONS

- ELECTRICAL CHARACTERISTICS:
 - RATING: DC 3A 12V
 - CONTACT RESISTANCE: 30m MAX(INITAL)
 - DIELECTRIC WITHSTANDING VOLTAGE: 500V AC FOR ONE MINUTE
 - INSULATION RESISTANCE: 100M MIN, MEASURED BY 500V DC
- MECHANICAL PERFORMANCE
 - OPERATING FORCE :0.5-2.0kgf
- LIFE TEST
 - ELECTRONICS LIFE TEST 5,000 CYCLES.



DC PLUG-REF



SCHEMATIC

NO.	PARTS	MATERIAL	QTY.	FINISHING
4	TERMINAL3	C2680-H	1	Au PLATED
3	TERMINAL1,2	C5210-H	2	Au PLATED
2	INSERT MOLDING	PA10T UL94-V0	1	BLACK
1	HOUSING	PA10T UL94-V0	1	BLACK

DONGGUAN AUGO ELECTRONICS CO.,LTD.

COPYRIGHT RESERVED,PLEASE DO NOT COPY.

PART NAME		DC POWER JACK		DRAWING		Y.C.Zhang		DWG.No.	
PART NO.		DS-270-T10-13		CHECK		G.C.Chen		REV. A	
UNIT :	mm	TOLERANCE	UP TO 5	±0.2	ANGLE	APPROVAL	DATE	2016.05.03	
		OTHERWISE	ABOVE 5 30	±0.3				SCALE	3:1